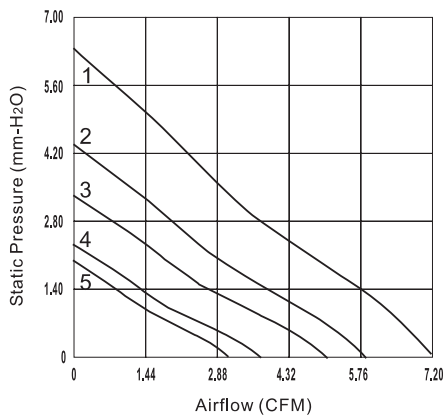
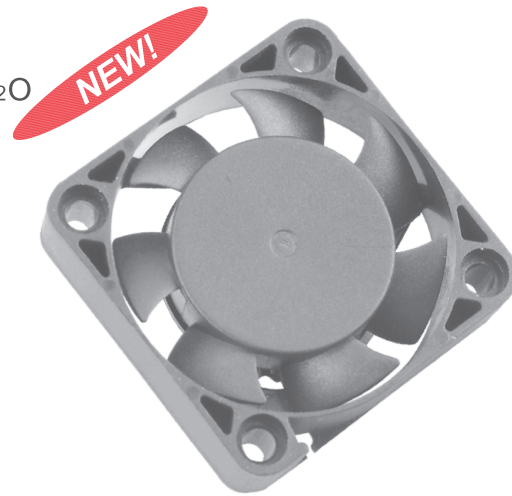
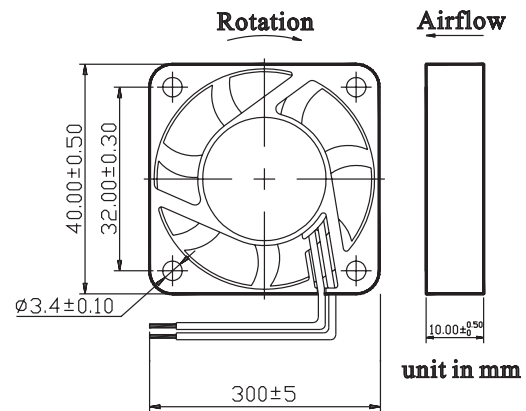


- ◆ Airflow: 3.0~7.2 CFM
- ◆ Static Pressure: 1.8~6.7 mm-H<sub>2</sub>O
- ◆ Blade / Housing:  
Plastic Material UL 94-0 P.B.T.
- ◆ Lead Wire: UL1007 #26 AWG
- ◆ Weight: 18 g
- ◆ Bearing Type: 2-Ball
- ◆ Function: 5 & 6
- ◆ Voltage: 5, 12, 24 VDC



**PERFORMANCE P-Q CURVE**



**OUTLINE DIMENSIONS**

Model No.	Rated Voltage (VDC)	Starting Voltage (VDC)	Operating Voltage Range (VDC)	Speed (RPM)	Max Airflow (CFM)	Max. Static Pressure (mm-H <sub>2</sub> O)	Current (mA)	Power Consumption (W)	Life at 40°C (L10)/hour	P-Q Curve	Noise Level (dB(A))
HYW04010005BL	5	4	4~5.5	3400	3.0	1.8	70	0.35	80000	5	15.0
HYW04010005BM	5	4	4~5.5	4300	3.8	2.3	80	0.40	80000	4	20.5
HYW04010005BH	5	4	4~5.5	5500	4.9	3.4	140	0.70	80000	3	25.5
HYW04010005BS	5	4	4~5.5	6500	5.8	4.3	150	0.75	75000	2	30.0
HYW04010012BL	12	7	7~13.2	3400	3.0	1.8	40	0.48	80000	5	15.0
HYW04010012BM	12	7	7~13.2	4300	3.8	2.3	50	0.60	80000	4	20.5
HYW04010012BH	12	7	7~13.2	5500	4.9	3.4	60	0.72	80000	3	25.5
HYW04010012BS	12	7	7~13.2	6500	5.8	4.3	100	1.20	75000	2	30.0
HYW04010012BU	12	7	7~13.2	8100	7.2	6.7	170	2.04	75000	1	37.5
HYW04010024BM	24	12	12~24.6	4300	3.8	2.3	30	0.72	80000	4	20.5
HYW04010024BH	24	12	12~24.6	5500	4.9	3.4	40	0.96	75000	3	25.5
HYW04010024BS	24	12	12~24.6	6500	5.8	4.3	570	1.20	75000	2	30.0
HYW04010024BU	24	12	12~24.6	8100	7.2	6.7	100	2.40	75000	1	37.5