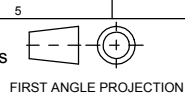


**PUBLICATION**  
**P12.095** ISSUE : 3

If this document is printed in hardcopy, it is for information use only and therefore is not subject to updating controls. Always refer to viewer for latest issue.



THIS DRAWING IS CONFIDENTIAL AND IS SUPPLIED ON THE EXPRESS CONDITION THAT IT SHALL NOT BE LOANED OR COPIED OR DISCLOSED TO ANY OTHER PERSON OR USED FOR ANY OTHER PURPOSE WITHOUT THE WRITTEN CONSENT OF AP RACING LTD.

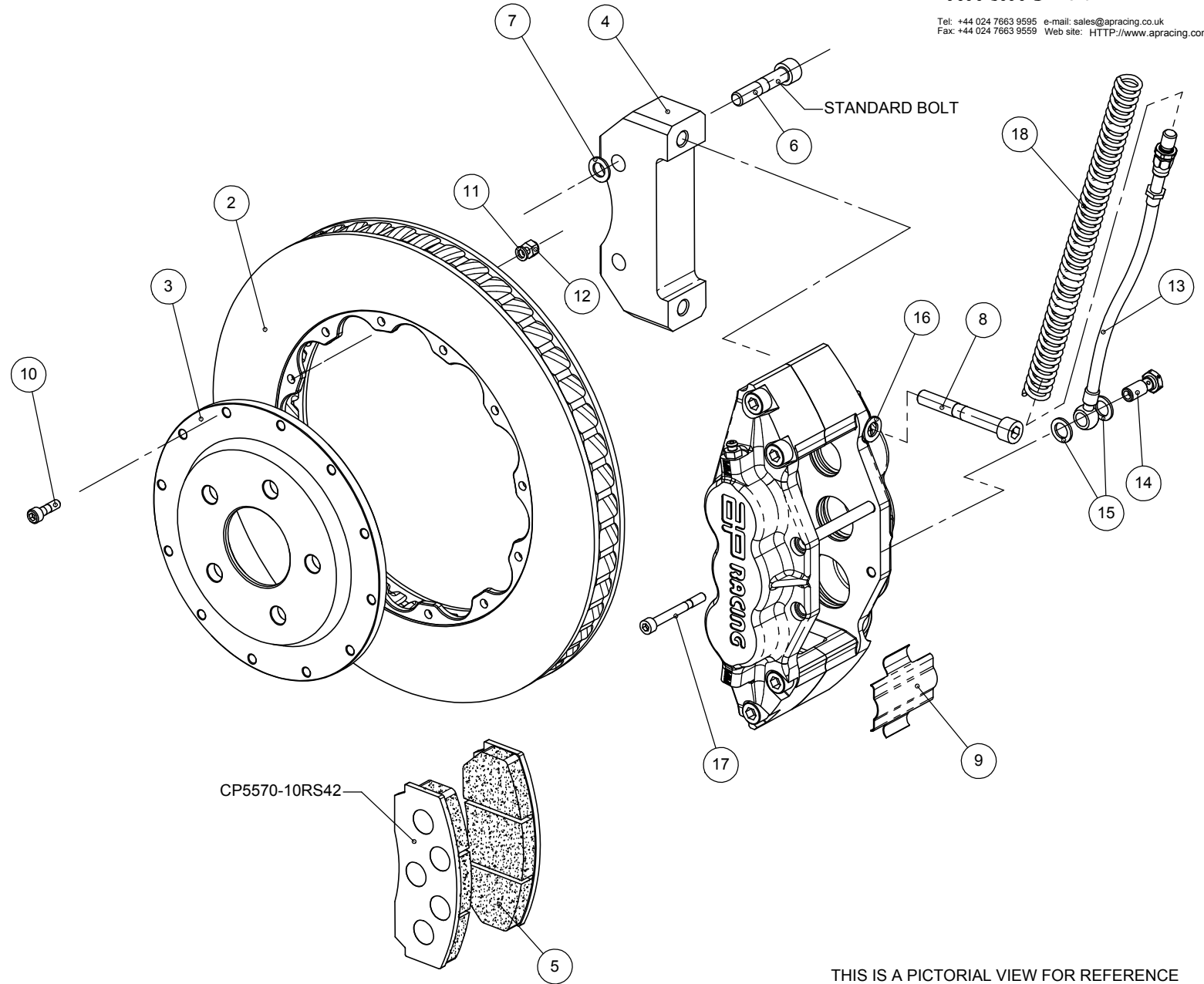


© AP Racing Ltd. 2000

AP Racing  
Wheler Road  
Coventry  
CV3 4LB

Tel: +44 024 7663 9595 e-mail: sales@ap racing.co.uk  
Fax: +44 024 7663 9559 Web site: HTTP://www.ap racing.com

AUDI S4 QUATTRO 17"		
KIT NUMBER CP5570-1005		
Ref	Description	QTY
1	Caliper Right Hand	1
	Caliper Left Hand	1
2	Disc Right Hand	1
	Disc Left Hand	1
3	Mounting Bell	2
4	Mounting Bracket	2
5	Pad Set	1
6	Standard Bolts	4
7	0.5mm Washer/Shim	12
8	Caliper Mtg Bolt	4
9	Anti-Rattle Clip	2
10	Disc Mtg Bolt	24
11	Washer	24
12	Disc Mtg Nut	24
13	Hose Kit	2
14	Banjo Bolt	2
15	Gasket	4
16	Washer	4
17	Pad Retainer Bolt	2
18	Nylon Armouring	2
19		
20		
21		
22		
23		
24		
25		



CP5570-10RS42

THIS IS A PICTORIAL VIEW FOR REFERENCE ONLY. SOME PARTS MAY VARY FROM THOSE SUPPLIED. AP RACING RESERVE THE RIGHT TO CHANGE COMPONENTS WITHOUT PRIOR NOTICE.

PLEASE RETAIN THIS SHEET FOR FUTURE REFERENCE

DRAWN : astrachan