

Under the Paperwork Reduction Act of 1995 no persons are required to respond to a collection of information unless it displays a valid OMB control number

**PROVISIONAL APPLICATION FOR PATENT COVER SHEET – Page 1 of 2**

This is a request for filing a PROVISIONAL APPLICATION FOR PATENT under 37 CFR 1.53(c).

Express Mail Label No. \_\_\_\_\_

INVENTOR(S)		
Given Name (first and middle [if any])	Family Name or Surname	Residence (City and either State or Foreign Country)
Andrew	Sharp	Mountain View, California
Additional inventors are being named on the _____ separately numbered sheets attached hereto.		
TITLE OF THE INVENTION (500 characters max):		
Electric fans with disappearing frame segments		
Direct all correspondence to: <b>CORRESPONDENCE ADDRESS</b>		
<input type="checkbox"/> The address corresponding to Customer Number: <input type="text"/>		
<b>OR</b>		
<input checked="" type="checkbox"/> Firm or Individual Name <b>Andrew Sharp</b>		
Address <b>212 Thompson Sq.</b>		
City <b>Mountain View</b>	State <b>CA</b>	Zip <b>94043</b>
Country <b>USA</b>	Telephone <b>650-735-1280</b>	Email <b>andy@lopoco.com</b>
ENCLOSED APPLICATION PARTS (check all that apply)		
<input type="checkbox"/> Application Data Sheet. See 37 CFR 1.76. <input type="checkbox"/> CD(s), Number of CDs _____		
<input checked="" type="checkbox"/> Drawing(s) Number of Sheets <b>1</b> <input type="checkbox"/> Other (specify) _____		
<input checked="" type="checkbox"/> Specification (e.g., description of the invention) Number of Pages <b>1</b>		
<b>Fees Due:</b> Filing Fee of \$260 (\$130 for small entity) (\$65 for micro entity). If the specification and drawings exceed 100 sheets of paper, an application size fee is also due, which is \$400 (\$200 for small entity) (\$100 for micro entity) for each additional 50 sheets or fraction thereof. See 35 U.S.C. 41(a)(1)(G) and 37 CFR 1.16(s).		
METHOD OF PAYMENT OF THE FILING FEE AND APPLICATION SIZE FEE FOR THIS PROVISIONAL APPLICATION FOR PATENT		
<input type="checkbox"/> Applicant asserts small entity status. See 37 CFR 1.27.		
<input checked="" type="checkbox"/> Applicant certifies micro entity status. See 37 CFR 1.29. Applicant must attach form PTO/SB/15A or B or equivalent.		
<input type="checkbox"/> A check or money order made payable to the <i>Director of the United States Patent and Trademark Office</i> is enclosed to cover the filing fee and application size fee (if applicable).		<div style="border: 1px solid black; padding: 5px; text-align: center; width: fit-content; margin: 0 auto;">65.00</div> <b>TOTAL FEE AMOUNT (\$)</b>
<input type="checkbox"/> Payment by credit card. Form PTO-2038 is attached.		
<input type="checkbox"/> The Director is hereby authorized to charge the filing fee and application size fee (if applicable) or credit any overpayment to Deposit Account Number: _____		

**USE ONLY FOR FILING A PROVISIONAL APPLICATION FOR PATENT**

This collection of information is required by 37 CFR 1.51. The information is required to obtain or retain a benefit by the public which is to file (and by the USPTO to process) an application. Confidentiality is governed by 35 U.S.C. 122 and 37 CFR 1.11 and 1.14. This collection is estimated to take 10 hours to complete, including gathering, preparing, and submitting the completed application form to the USPTO. Time will vary depending upon the individual case. Any comments on the amount of time you require to complete this form and/or suggestions for reducing this burden, should be sent to the Chief Information Officer, U.S. Patent and Trademark Office, U.S. Department of Commerce, P.O. Box 1450, Alexandria, VA 22313-1450. DO NOT SEND FEES OR COMPLETED FORMS TO THIS ADDRESS. **SEND TO: Commissioner for Patents, P.O. Box 1450, Alexandria, VA 22313-1450.**

If you need assistance in completing the form, call 1-800-PTO-9199 and select option 2.

Under the Paperwork Reduction Act of 1995 no persons are required to respond to a collection of information unless it displays a valid OMB control number

## PROVISIONAL APPLICATION FOR PATENT COVER SHEET – Page 2 of 2

The invention was made by an agency of the United States Government or under a contract with an agency of the United States Government.

No.

Yes, the invention was made by an agency of the U.S. Government. The U.S. Government agency name is: \_\_\_\_\_

Yes, the invention was made under a contract with an agency of the U.S. Government. The name of the U.S. Government agency and Government contract number are: \_\_\_\_\_

### WARNING:

Petitioner/applicant is cautioned to avoid submitting personal information in documents filed in a patent application that may contribute to identity theft. Personal information such as social security numbers, bank account numbers, or credit card numbers (other than a check or credit card authorization form PTO-2038 submitted for payment purposes) is never required by the USPTO to support a petition or an application. If this type of personal information is included in documents submitted to the USPTO, petitioners/applicants should consider redacting such personal information from the documents before submitting them to the USPTO. Petitioner/applicant is advised that the record of a patent application is available to the public after publication of the application (unless a non-publication request in compliance with 37 CFR 1.213(a) is made in the application) or issuance of a patent. Furthermore, the record from an abandoned application may also be available to the public if the application is referenced in a published application or an issued patent (see 37 CFR 1.14). Checks and credit card authorization forms PTO-2038 submitted for payment purposes are not retained in the application file and therefore are not publicly available.

SIGNATURE Andrew Sharp DATE 11/4/2014

TYPED OR PRINTED NAME Andrew Sharp REGISTRATION NO. \_\_\_\_\_  
(if appropriate)

TELEPHONE 650-765-1280 DOCKET NUMBER \_\_\_\_\_

## Provisional Patent Specification – Fans with disappearing frame segments

### I. Fans with disappearing frame segments

- (a) Fans have “disappearing” frame segments on the top and/or bottom of the fan, so that the blades come as close as possible to the top and/or bottom of the enclosure they are located in, maximizing fan blade size to the available space in the enclosure. This means that the external dimensions of the entire fan assembly will not be square, but in fact wider in the horizontal than in the vertical. This allows for a larger fan blade to be used in a fan that is located in an enclosure and therefore doesn't need an encompassing frame to protect the fan from foreign objects or to protect foreign objects from the spinning fan blades.
- (b) Fans are often made of plastic: plastic frame and plastic blades. These fans will have soft touch plastic at least on the bottom and top of the frame, so as to damp vibrations coming from the fan, minimizing the amount of vibrations transmitted to the rest of the computer server and its components. Also, this soft touch plastic, a common material often found in car dashboards and other consumer products, will aid in holding the fans in place. For fans made of metal or other material, a thin coating of soft touch plastic, or other vibration damping material such as rubber or silicone, can be applied to the frame material to achieve the same result.

Fig. 1 Example drawing of fan with disappearing top and bottom frame segments. Fan blades not shown (frame only).

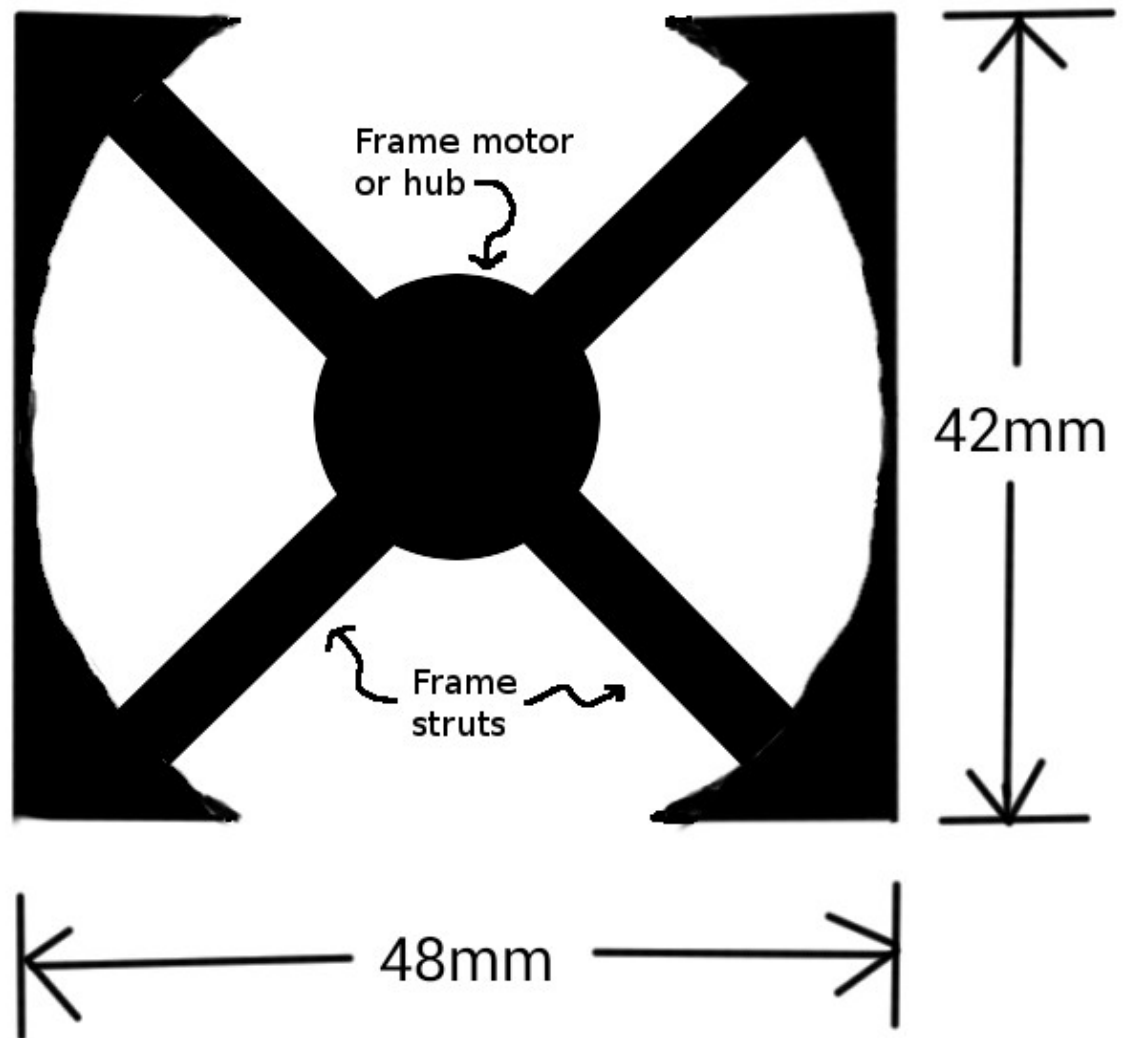
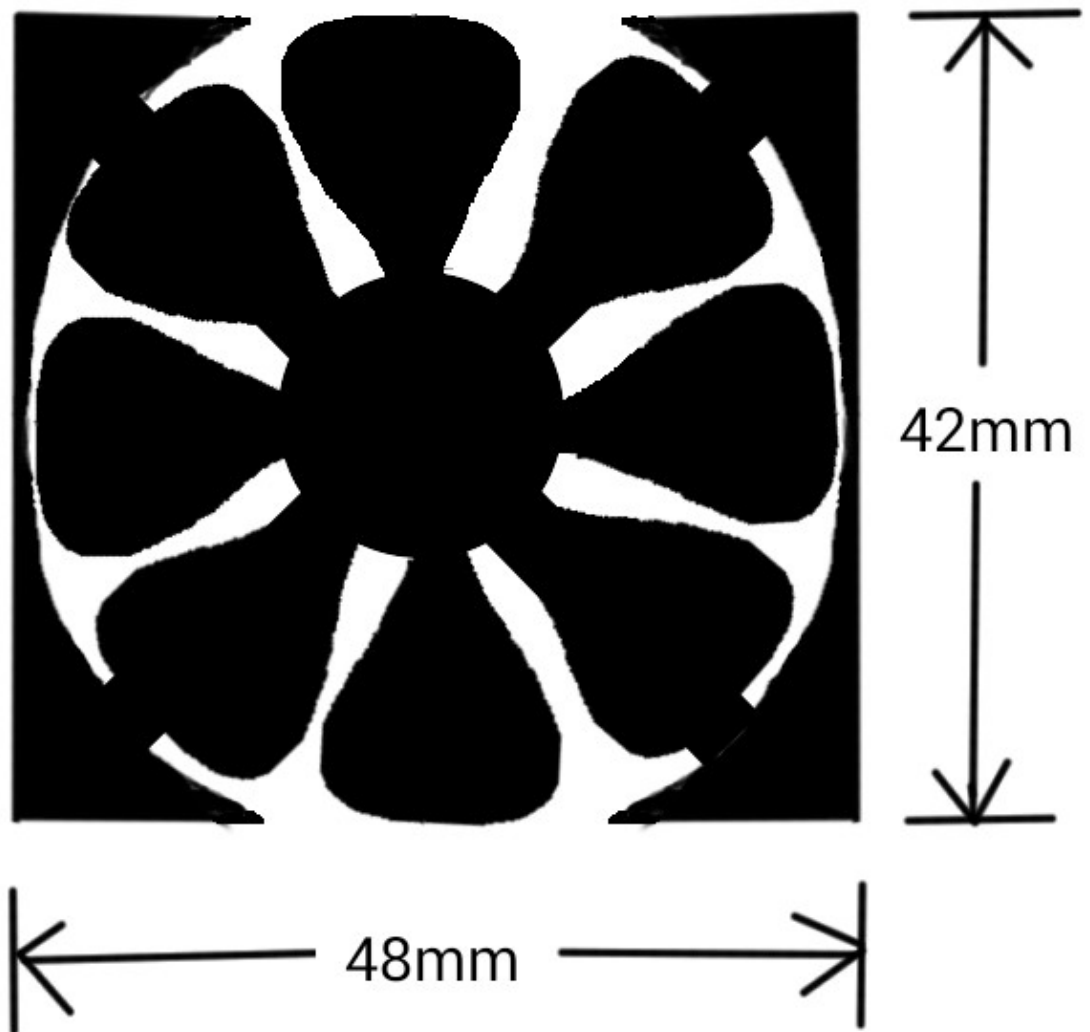


Fig. 2 Example drawing of fan with disappearing top and bottom frame segments.



## Electronic Acknowledgement Receipt

<b>EFS ID:</b>	21572754
<b>Application Number:</b>	62074598
<b>International Application Number:</b>	
<b>Confirmation Number:</b>	8351
<b>Title of Invention:</b>	Electric fans with disappearing frame segments
<b>First Named Inventor/Applicant Name:</b>	Andrew Sharp
<b>Correspondence Address:</b>	Andrew Sharp - 212 Thompson Sq. - Mountain View CA 94043 US 6507351280 andy@lopoco.com
<b>Filer:</b>	Andrew Sharp
<b>Filer Authorized By:</b>	
<b>Attorney Docket Number:</b>	
<b>Receipt Date:</b>	23-FEB-2015
<b>Filing Date:</b>	03-NOV-2014
<b>Time Stamp:</b>	16:13:36
<b>Application Type:</b>	Provisional

### Payment information:

Submitted with Payment	yes
Payment Type	Credit Card
Payment was successfully received in RAM	\$ 15

RAM confirmation Number	3108
Deposit Account	
Authorized User	

The Director of the USPTO is hereby authorized to charge indicated fees and credit any overpayment as follows:

### File Listing:

Document Number	Document Description	File Name	File Size(Bytes)/ Message Digest	Multi Part /.zip	Pages (if appl.)
1	Fee Worksheet (SB06)	fee-info.pdf	29608 <small>1eaaf62bd246a0ff925497324f52cc025c599825</small>	no	2

### Warnings:

### Information:

<b>Total Files Size (in bytes):</b>	29608
-------------------------------------	-------

**This Acknowledgement Receipt evidences receipt on the noted date by the USPTO of the indicated documents, characterized by the applicant, and including page counts, where applicable. It serves as evidence of receipt similar to a Post Card, as described in MPEP 503.**

#### New Applications Under 35 U.S.C. 111

**If a new application is being filed and the application includes the necessary components for a filing date (see 37 CFR 1.53(b)-(d) and MPEP 506), a Filing Receipt (37 CFR 1.54) will be issued in due course and the date shown on this Acknowledgement Receipt will establish the filing date of the application.**

#### National Stage of an International Application under 35 U.S.C. 371

**If a timely submission to enter the national stage of an international application is compliant with the conditions of 35 U.S.C. 371 and other applicable requirements a Form PCT/DO/EO/903 indicating acceptance of the application as a national stage submission under 35 U.S.C. 371 will be issued in addition to the Filing Receipt, in due course.**

#### New International Application Filed with the USPTO as a Receiving Office

**If a new international application is being filed and the international application includes the necessary components for an international filing date (see PCT Article 11 and MPEP 1810), a Notification of the International Application Number and of the International Filing Date (Form PCT/RO/105) will be issued in due course, subject to prescriptions concerning national security, and the date shown on this Acknowledgement Receipt will establish the international filing date of the application.**

---

## Acknowledgement Receipt

---

The USPTO has received your submission at **21:47:19** Eastern Time on **03-NOV-2014** .

\$ **65** fee paid by e-Filer via *RAM* with Confirmation Number: 6735.

---

## eFiled Application Information

---

EFS ID	20596026
Application Number	62074598
Confirmation Number	8351
Title	Fans with disappearing frame segments
First Named Inventor	Andrew Sharp
Customer Number or Correspondence Address	Andrew Sharp 212 Thompson Sq. Mountain View CA 94043 US 6507351280 andy@lopoco.com
Filed By	Andrew Sharp
Attorney Docket Number	
Filing Date	
Receipt Date	03-NOV-2014
Application Type	Provisional

---

## Application Details

---

Submitted Files	Page Count	Document Description	File Size	Warnings
<a href="#">prov-cs-disappearing-print.pdf</a>	2	Provisional Cover Sheet (SB16)	120375 bytes	 WARNINGS
This is not a USPTO supplied Provisional Cover Sheet SB16 form.				
<a href="#">description.pdf</a>	1	Specification	26452 bytes	 PASS
<a href="#">disappearing-01.pdf</a>	1	Drawings-only black and white line drawings	53602 bytes	 PASS
<a href="#">disappearing-02.pdf</a>	1	Drawings-only black and white line drawings	52220 bytes	 PASS
<a href="#">sb0015a-x.pdf</a>	2	Certification of Micro Entity (Gross Income Basis)	117526 bytes	 PASS
<a href="#">fee-info.pdf</a>	2	Fee Worksheet (SB06)	28522 bytes	 PASS



This Acknowledgement Receipt evidences receipt on the noted date by the USPTO of the indicated documents, characterized by the applicant, and including page counts, where applicable. It serves as evidence of receipt similar to a Post Card, as described in MPEP 503.

#### New Applications Under 35 U.S.C. 111

If a new application is being filed and the application includes the necessary components for a filing date (see 37 CFR 1.53(b)-(d) and MPEP 506), a Filing Receipt (37 CFR 1.54) will be issued in due course and the date shown on this Acknowledgement Receipt will establish the filing date of the application.

#### National Stage of an International Application under 35 U.S.C. 371

If a timely submission to enter the national stage of an international application is compliant with the conditions of 35 U.S.C. 371 and other applicable requirements a Form PCT/DO/EO/903 indicating acceptance of the application as a national stage submission under 35 U.S.C. 371 will be issued in addition to the Filing Receipt, in due course.

#### New International Application Filed with the USPTO as a Receiving Office

If a new international application is being filed and the international application includes the necessary components for an international filing date (see PCT Article 11 and MPEP 1810), a Notification of the International Application Number and of the International Filing Date (Form PCT/RO/105) will be issued in due course, subject to prescriptions concerning national security, and the date shown on this Acknowledgement Receipt will establish the international filing date of the application.

#### *If you need help:*

- *To ask questions about Patent e-Filing, or to suggest improvements to the online system, or report technical problems, please call the Patent Electronic Business Center at (866) 217-9197 (toll free) or send email to [EBC@uspto.gov](mailto:EBC@uspto.gov).*
- *Send general questions about USPTO programs to the [USPTO Contact Center \(UCC\)](#).*
- *For general questions regarding a petition, or requirements for filing a petition, contact the Office of Petitions Help Desk at 1 800-786-9199.*