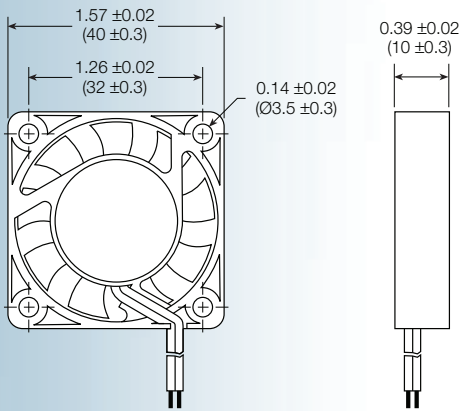


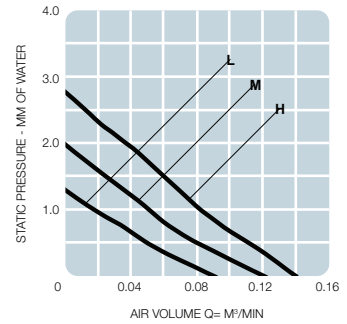
DC

**MA4010 series**



**Size: (40 x 40 x 10 mm)  
1.57 x 1.57 x 0.39 inches**

- Construction:** UL94V-0 PBT impeller & frame
- Bearing option:** ball bearing or sleeve
- Connection:** AWG 26, UL1007 lead wires
- Frame:** ribbed
- Protection:** impedance
- Options:** tachometer output or locked rotor alarm signal



Model No.	Rated Voltage V	Operating Voltage V	Current mA	Revolution RPM	Air Volume		Max Static Pressure (H <sub>2</sub> O)		Sound Noise dBA	Weight g
					M <sup>3</sup> /Min	CFM	MM	INCH		
<b>MA4010L</b>	5	3 - 6.5	50	4,000	0.09	3.18	1.30	0.05	23	20
<b>MA4010M</b>	5	3 - 6.5	70	5,000	0.12	4.24	1.98	0.08	24	20
<b>MA4010H</b>	5	3 - 6.5	140	6,000	0.14	4.95	2.78	0.11	26	20
<b>MA4010L</b>	12	7 - 13.8	55	4,000	0.09	3.18	1.30	0.05	23	20
<b>MA4010M</b>	12	7 - 13.8	60	5,000	0.12	4.24	1.98	0.08	24	20
<b>MA4010H</b>	12	7 - 13.8	75	6,000	0.14	4.95	2.78	0.11	26	20