



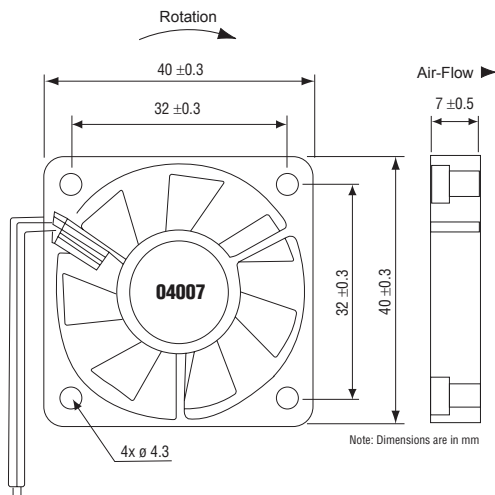
Impeller/Frame
UL94V-0 Black Plastic

Lead Wire
UL 1571, 28 AWG

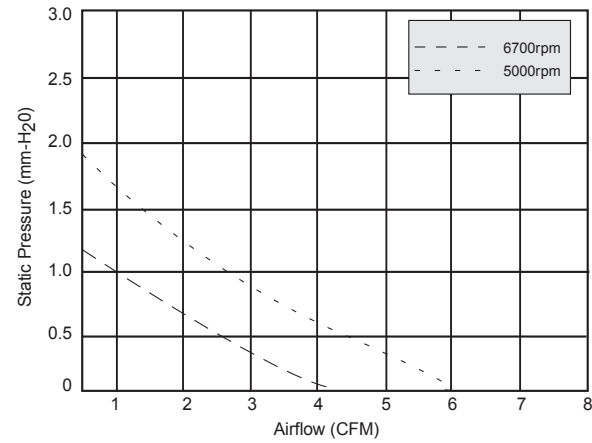
Bearing System
2 Ball Bearings or Sleeve Bearing

Operating Temperature
Ball Bearings: -40°C to + 70°C
Sleeve Type: -25°C to + 70° C

MECHANICAL DRAWING



PERFORMANCE CURVE



40X40X7mm

Specifications are subject to change without notice

MODEL NO.	RATED VOLTAGE (VDC)	STARTING VOLTAGE	OPERATING VOLTAGE RANGE	RATED CURRENT (mA)	RATED POWER (W)	SPEED RPM	CFM	PRESSURE mm/h ₂ O	NOISE dBa
YW04007005DM	5	4	4-6	120	0.60	5000	4.16	1.4	22
YW04007005DH	5	4	4-6	150	0.75	6700	6.11	2.21	26
YW04007012DH	12	4	7-13.2	150	1.80	6700	6.11	2.21	26