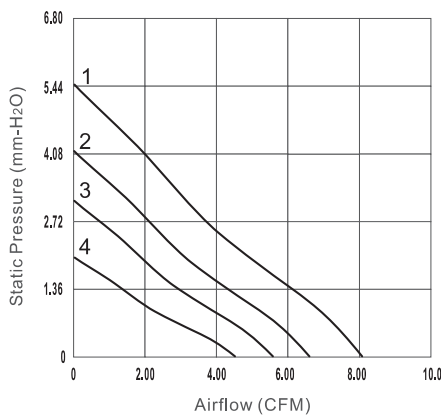
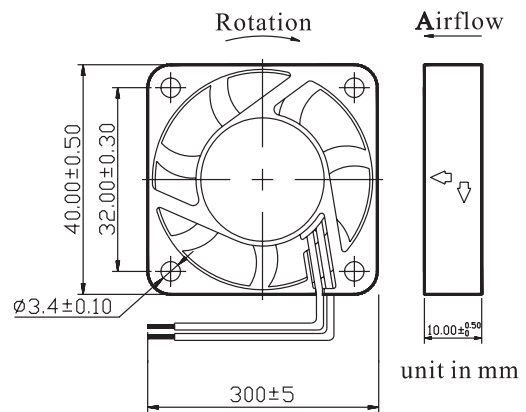


- ◆ Airflow: 4.5~8.1 CFM
- ◆ Static Pressure: 2.0~5.4 mm-H₂O
- ◆ Blade / Housing:
Plastic Material UL 94-0 P.B.T.
- ◆ Lead Wire: UL1007 #26 AWG
- ◆ Weight: 15 g
- ◆ Bearing Type: 2-Ball,
1-Ball 1-Sleeve, Sleeve
- ◆ Function: 1, 5, & 6
- ◆ Voltage: 5, 12, 24 VDC



OUTLINE DIMENSIONS



PERFORMANCE P-Q CURVE

Model No.	Rated Voltage (VDC)	Starting Voltage (VDC)	Operating Voltage Range (VDC)	Speed (RPM)	Max. Airflow (CFM)	Max. Static Pressure (mm-H ₂ O)	Current (mA)	Power Consumption (W)	Life at 40°C (L-10/Hours)	P-Q Curve	Noise Level (dB(A))
YW04010005BL	5	4	4~5.5	4500	4.5	2.0	90	0.45	80000	4	21.5
YW04010005BM	5	4	4~5.5	5500	5.6	2.9	130	0.65	80000	3	26.5
YW04010005BH	5	4	4~5.5	6500	6.6	4.1	170	0.85	75000	2	29.0
YW04010005BS	5	4	7~13.2	7500	8.1	5.4	250	1.25	75000	1	34.5
YW04010012BL	12	7	7~13.2	4500	4.5	2.0	55	0.66	80000	4	21.5
YW04010012BM	12	7	7~13.2	5500	5.6	2.9	65	0.78	80000	3	26.5
YW04010012BH	12	7	7~13.2	6500	6.6	4.1	90	1.08	75000	2	29.0
YW04010012BS	12	7	7~13.2	7500	8.1	5.4	120	1.44	75000	1	34.5
YW04010024BL	24	12	12~26.4	4500	4.5	2.0	50	0.60	80000	4	21.5
YW04010024BM	24	12	12~26.4	5500	5.6	2.9	60	0.72	80000	3	26.5
YW04010024BH	24	12	12~26.4	6500	6.6	4.1	70	0.84	75000	2	29.0